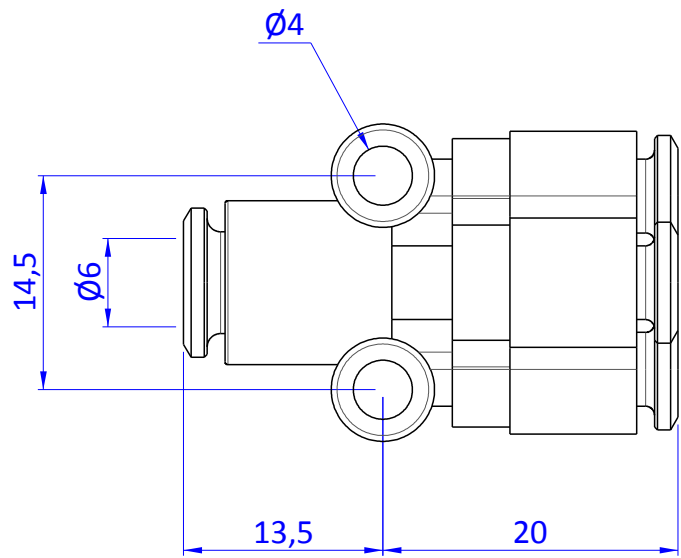
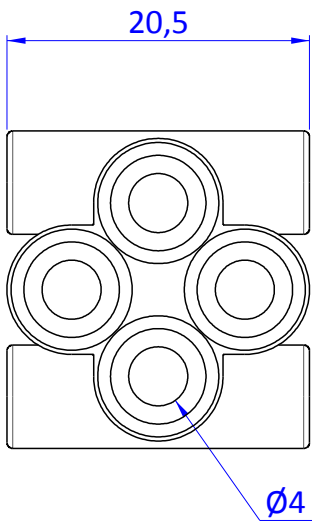
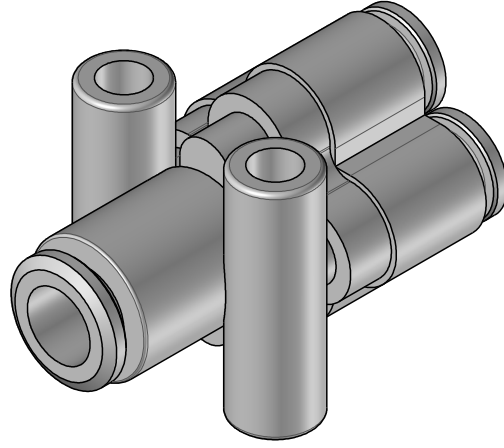

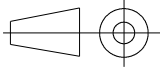


THE PROPERTY OF THE DRAWING IS ESTABLISHED BY LAW. IT IS FORBIDDEN TO PRODUCE OR SHOW IT TO THIRD PART. WITHOUT A WRITTEN AGREEMENT.



Format A4 UNI 936-76	 FPSERVICES AUTOMATION			DESIGNED FROM <b>FPS Automation</b>		REVIEW <b>A</b>
	GENERAL TOLERANCE UNI - ISO 2768 CLASSE f			DATE <b>24/10/2016</b>		WEIGHT <b>0,012kg</b>
	DESCRIPTION  CA.12.05.008			CODE <b>CA.12.05.008</b>		